



FEATURES

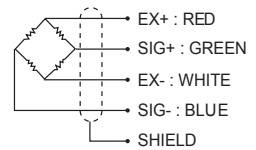
- Robust design and easy installation
- Strong against shock

Material

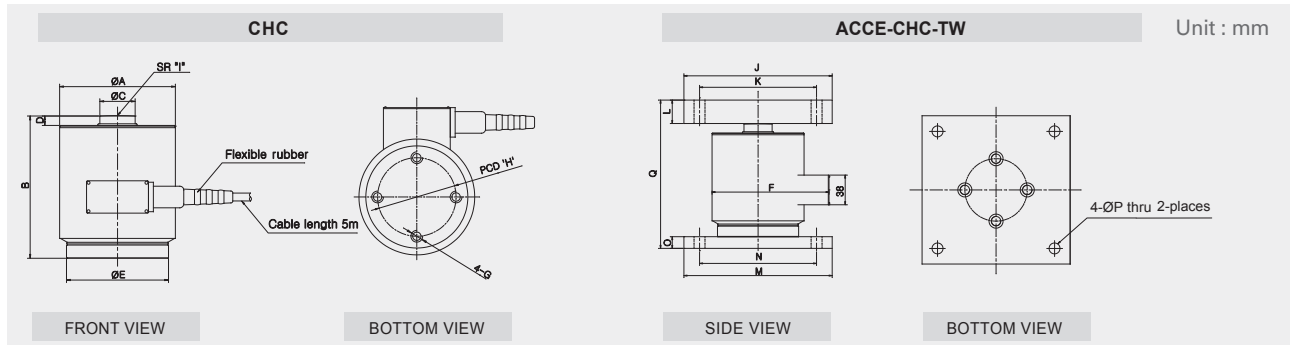
- Paint finished steel

Cable

- Braided shield 4-wire round cable with PVC - jacket



DIMENSIONS



Model	Capacity	A	B	C	D	E	F	G	H	I	J	K	L	M	N	O	P	Q
CHC - 20T	20 tf	118	145	36	10	104	150	M12x1.75	80	150	200	150	30	200	150	15	14	190
CHC - 30T	30 tf	118	145	36	10	104	150	M12x1.75	80	150	200	150	30	200	150	15	14	190
CHC - 50T	50 tf	138	160	50	20	104	170	M12x1.75	80	200	220	160	40	220	160	20	19	220
CHC - 100T	100 tf	158	190	70	20	144	190	M16x2.0	100	200	260	200	60	260	200	30	23	280
CHC - 200T	200 tf	214	230	95	30	188	249	M16x2.0	130	300	280	200	80	280	200	40	27	350
CHC - 500* T	500 tf	214	280	140	30	188	249	M16x2.0	130	800								
CHC - 800* T	800 tf	260	360	180	30	228	295	M20x2.5	160	720								

*: special order

SPECIFICATIONS

Max. Capacity		tf	20, 30, 50, 100, 200, 500*, 800* tf	
Rated output		mV/V	2.0 ± 0.005	
Zero balance		mV/V	0.0 ± 0.03	
Combined error		%RO	0.15	
Repeatability		%RO	0.10	
Creep (30min.)		%RO	0.03	
Temperature effect on	Zero value	%RO/10°C	0.03	
	Output value	%RO/10°C	0.03	
Excitation	Recommended	V	10	
	Maximum	V	15	
Resistance	Input	Ω	350 ± 3.5	
	Output	Ω	350 ± 3.5	
	Insulation	MΩ	> 2,000 @50V DC	
Compensated temp. range		°C	-10 ~ +40	
Operating temp. range		°C	-20 ~ +80	